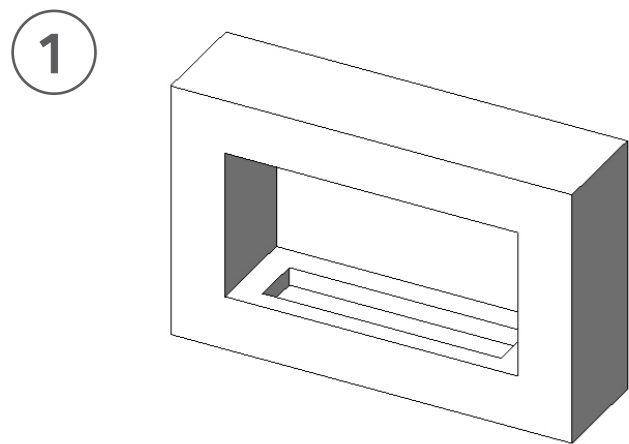


# **STEP-BY-STEP INSTALLATION GUIDE**

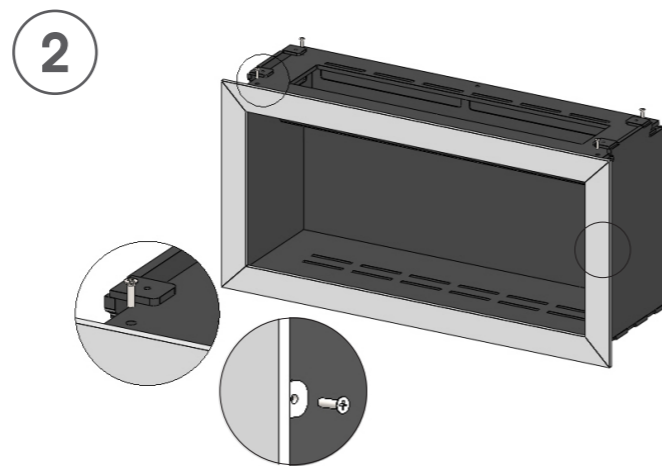
## INSTRUCTIONS FOR INSTALLATION – decoflame® Orlando with Standard Burner

The decoflame® Orlando built-in made to measure bioethanol fireplace can have various layouts, which allow a view of the flames from one, two or even three sides. The drawings shown below show a layout which is open to the front only. Installation details for alternative layouts are described in case they should be different.

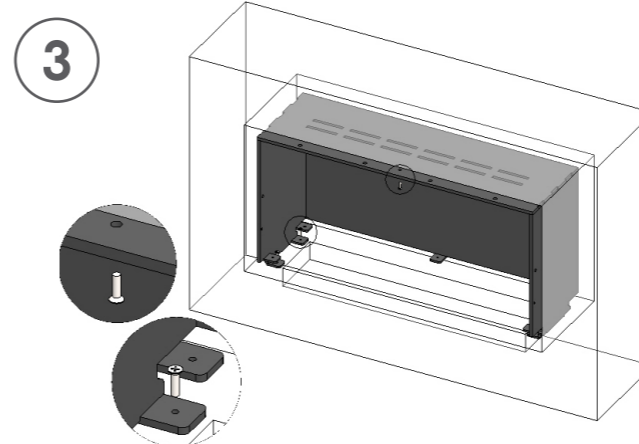
Please make sure you read the manual before you operate the fire!



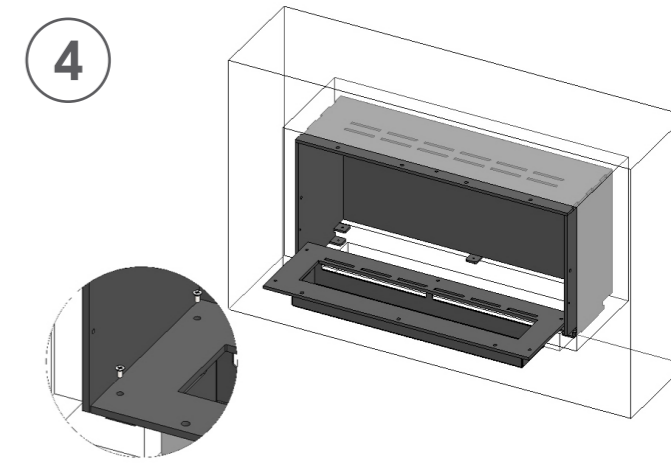
Check that the dimensions of the cut-out are in accordance with the technical drawing provided with the fireplace. All corners of the cut-out must be in a 90° angle and all surfaces in level.



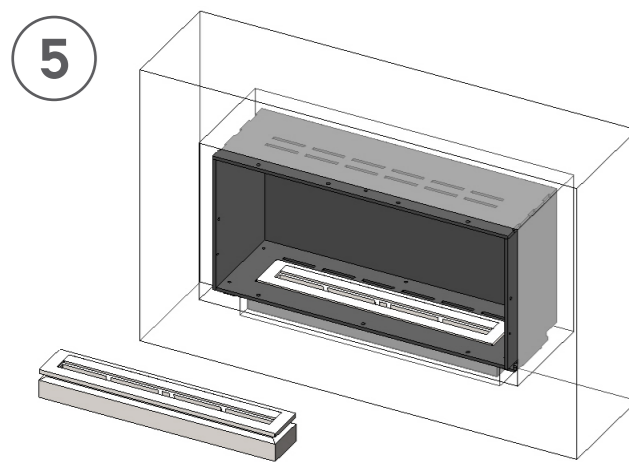
The decoflame® Orlando has been assembled with its frame and its base plate fitted upside-down in order to stabilise the fire during transit. Unscrew the screws that hold the frame and the base plate fitted to the chassis of the fire. Keep the screws as you will need them in step 4 and step 7 of the installation!



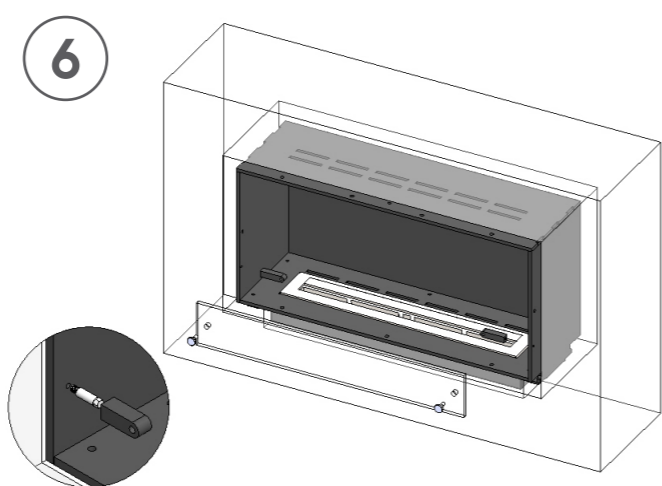
Place the chassis of the fireplace centred inside the wall cut-out resting on the supports to the left and right. Should the Orlando be open to the back and front, make sure that it is also centred from back to front. Fix the roof to the wall structure above and the sides (through the centre lip at the bottom of the sides) to the supports below. Use the three screws contained in a little plastic bag in the card wood box in which you also find the burner. Use rawlplugs if the wall material and the supports require it.



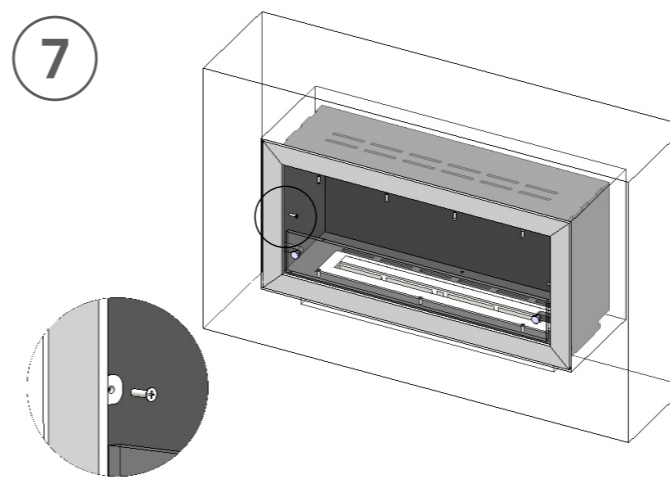
Lift the base plate into the fireplace taking great care not to scratch the paint on the sides and back. Use the screws you have removed in step 2 above and fix the base plate to the chassis of the fireplace.



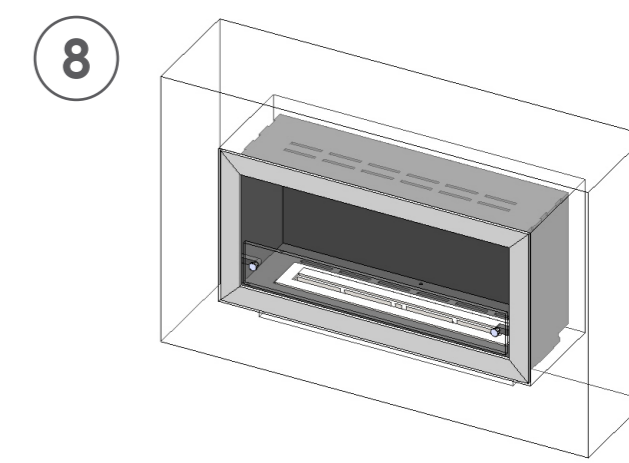
Place the burner inside the safety chamber and place its slider lid on top of the burner opening.



Take the stainless steel threaded bolts (male parts) from the little plastic bag and screw them into the holes at the lower front of the sides of the chassis of the fireplace. Push the glass holders (female parts) over the ends of the threaded bolts. The threaded hole at the other end of each glass holder is facing to the front. Fix the glass holders in this position by tightening their hexagon set screws with an allen key. Make sure that the glass is centred in the width of the opening of the fireplace.



Using the screws you have removed in step 2 above, fix the frame (frames if the layout of the fireplace is open to more than one side) from the inside to the chassis of the fireplace. The frame is supposed to be flush with the surrounding wall surfaces. Make sure there is a 5mm gap between the frame and the surrounding wall material all the way around.



The fireplace is now installed and ready for use. Fill the burner up to the max. level indicator and light it with a long lighter or fireplace match.